

Specification

1. Input Voltage: AC220-240V 50/60Hz
2. Wattage: 3W.
3. Surfacing brightness: ≥ 200 cd/m².
4. Battery installed or replaced: Ni-cd 3.6V 1500mAh.
Ni-cd 3.6V 1800mAh for Self-test.
5. Led built-in
6. Operating environmental temperature: 0-40°C.
7. Re-charging time: 24 hours.
8. Emergency duration: more than 3 hours.

Important Information

We recommend that luminaires are installed by a qualified electrician ensuring the installation complies with current IEE wiring regulations BS7671:2018 & local building control.

- All tests should be carried out in accordance to EN 50172:2004.
- BELL will not accept responsibility for any claims arising from a poor installation.
- The light source of this luminaire is not replaceable when the light source reaches end of life, the whole luminaire must be replaced.

Important User Advice

- The ambient room temperature should not exceed 30°C.
- Ensure that there is adequate free air ventilation around the fitting.
- It may be necessary to uprate your MCBs to allow for increased inrush current.
- Always switch off mains supply before installing.

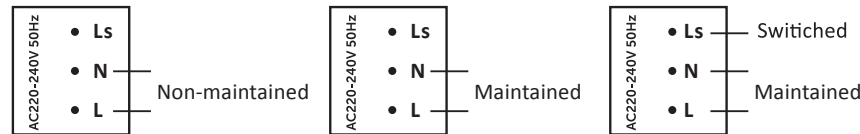
Read these instructions before installation and retain for future reference

This equipment should be installed by a competent electrician



Installation:

1. Connect mains supply wiring as follows L(Live) N(Neutral)



2. When all connections have been made reassemble the fitting completely.
3. Switch on 220-240V AC supply and check that the green l.e.d indicator illuminates to confirm charging of batteries.
4. Allow a short period for part charging for the batteries and then isolate the mains supply to the fitting in order to check the correct operation of the fitting in emergency mode. When the first use, after a continuous charge for 36 hours, a mains failure should be simulated to ensure that the fitting works for its specified time(only at a safe & appropriate time). The fitting will be fully charged within 24hours.

Use of switch on right hand side of fitting: The test button of the unit has the following functions: (09084 Self Test version)

Test Button	Green LED	Status
Press for approx 1 Second	Off	Emergency mode for 1 second
Press for approx 5 Seconds	Slow flash	Function for 30 seconds
Press for approx 7 Seconds	Fast Flash	3 Hour duration test
Press for approx 10 Seconds		End the duration test

Please refer to following chart below for more complete description/fault indication:

Test Button	Green LED	Status
Green solid	Mains on / No fault	
Green flash	Slow flash	Function for 2 minutes
	Fast flash	3 hour duration test
Red flash	1 Flash cycle	Battery fault
	2 Flash cycle	Lamp fault
	3 Flash cycle	Duration test fault

RECOMMENDED ROUTINE TEST PROCEDURE

The following tests are designed to ensure the continued protection of your premises and occupants. Because of the possibility of a failure of the normal lighting supply occurring shortly after a period of testing, all tests should, whenever possible, be undertaken at times of least risk, e.g. during daylight hours.

ONCE A DAY

Visual inspection of battery charge led.

ONCE A MONTH

Each unit should be energised from its battery for adequate time to ensure, by simulation of a failure of the normal lighting supply, the emergency mode is functioning correctly.

ONCE EACH YEAR

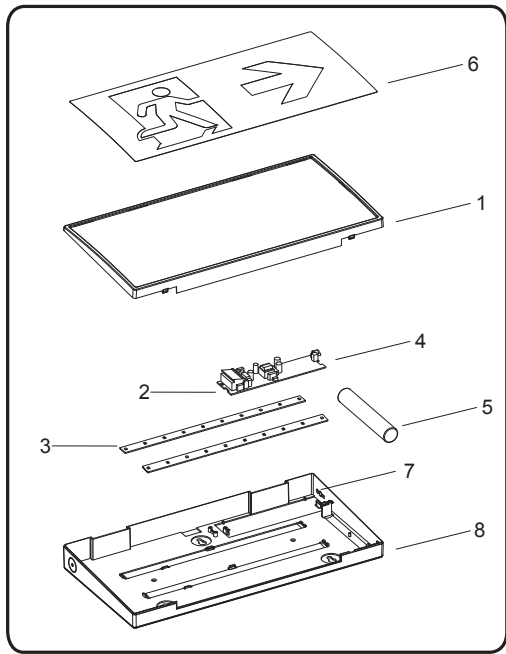
All units should be placed into emergency mode and checked that the duration provided by the battery meets the specified time period.



This product may contain substances that can be hazardous to the environment if not disposed of properly. Electrical and electronic equipment should never be disposed of with general household waste but must be separated for its correct treatment and recovery.

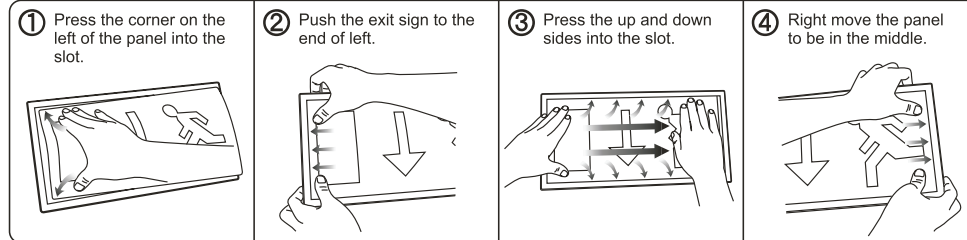
Where possible recycle your packaging.





- 1. Cover
- 2. Push Terminal Block
- 3. LED
- 4. Main PCB
- 5. Battery
- 6. Legend
- 7. Test Switch
- 8. Bottom Case

Installation of the legend



Installation

